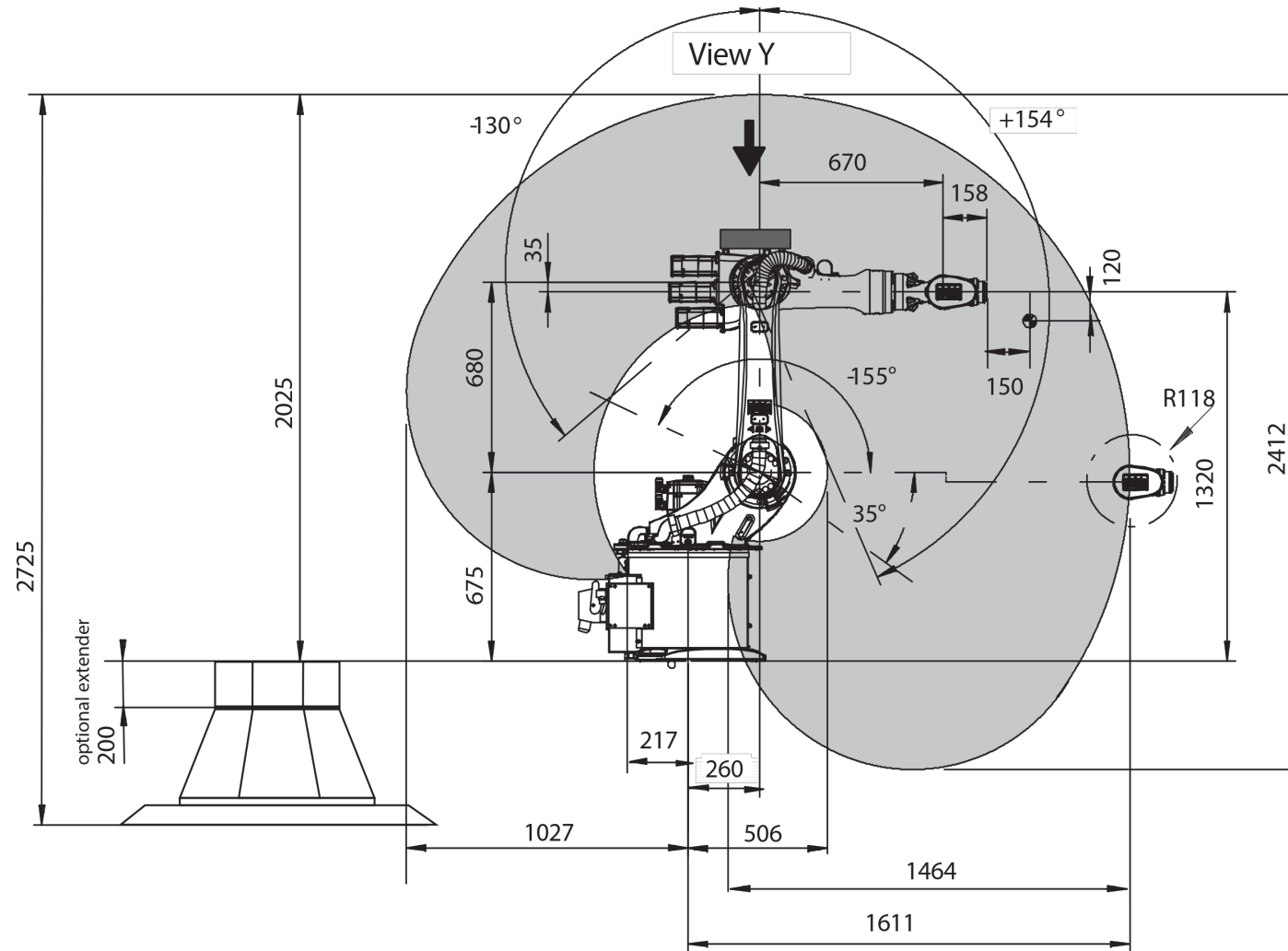
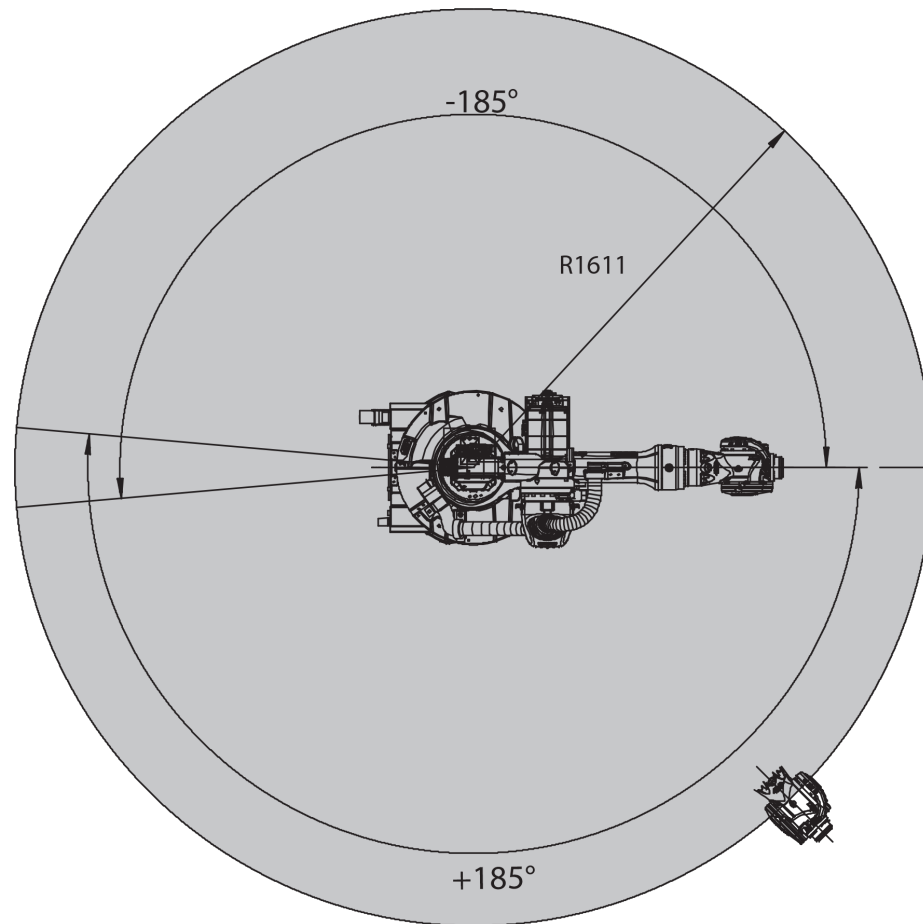


ROBOT DETAILS



ROBOT DETAILS



| Specifications | | |
|------------------------|-----------------|---------|
| Repeatability: | 0.05 mm | |
| Maximal camera weight: | 16Kg | |
| Operating temperature: | +5 to +55 °C | |
| | | |
| | | |
| Speed & Ranges | | |
| Axis | Range of motion | Speed |
| 1 | 3185° | 156 °/s |
| 2 | +35° to -155° | 156 °/s |
| 3 | +154° to -130° | 156 °/s |
| 4 | 3350° | 330 °/s |
| 5 | 3130° | 330 °/s |
| 6 | 3350° | 615 °/s |